



**UNITED
STATES
ANTENNA
PRODUCTS, LLC.**

MODEL LP-1112MR

4.0-30.0 MHz

TRANSPORTABLE LOG PERIODIC ANTENNA

NSN 5985-00-009-0129



Transportable, Rotatable Log Periodic Antenna

- 4.0 to 30.0 MHz
- Rotatable
- 7.5 kW Average – 10 kW PEP
- Medium to Long Range Field Communications
- ***Can be erected in 4 Hours by 6 People***

The United States Antenna Products LP-1112MR is a lightweight ***transportable and rotatable*** antenna system covering the frequency range of 4.0 to 30.0 MHz. It is designed for temporary or semi permanent installation with minimum deployment time. This unique antenna incorporates extremely small size for the frequency coverage. The antenna dimensions are only 62 feet (18.9 meters) (boom) by 96 feet (29.2 meters) across at the longest element. The system includes a 60 foot (18.3 meters) tower and erection system. The net weight of the system is approximately 2000 pounds (907kg). Rotation is accomplished by a manually operated rotator system. All installation tools and equipment are included in the antenna kit. The system also includes all necessary cases to easily transport the antenna between installation locations. The parts are color coded to facilitate assembly.

United States Antenna Products, LLC 5263 Agro Drive Frederick, Maryland 21703 USA

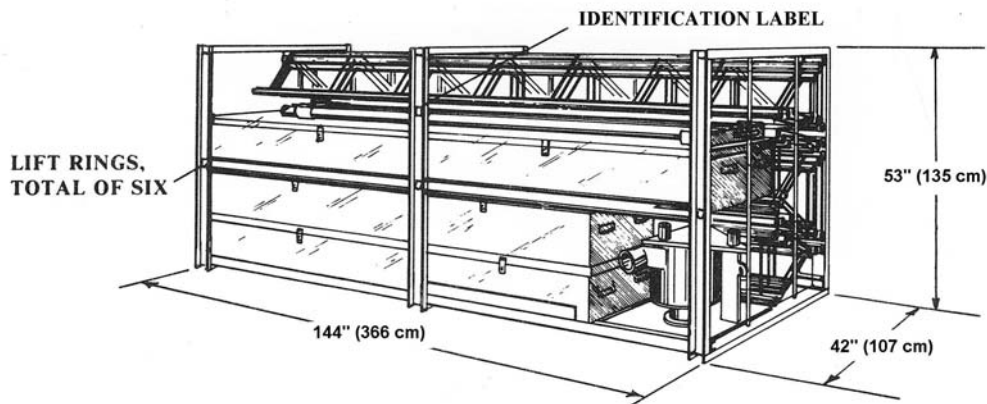
Phone: 240-341-7120

Fax: 240-341-4980

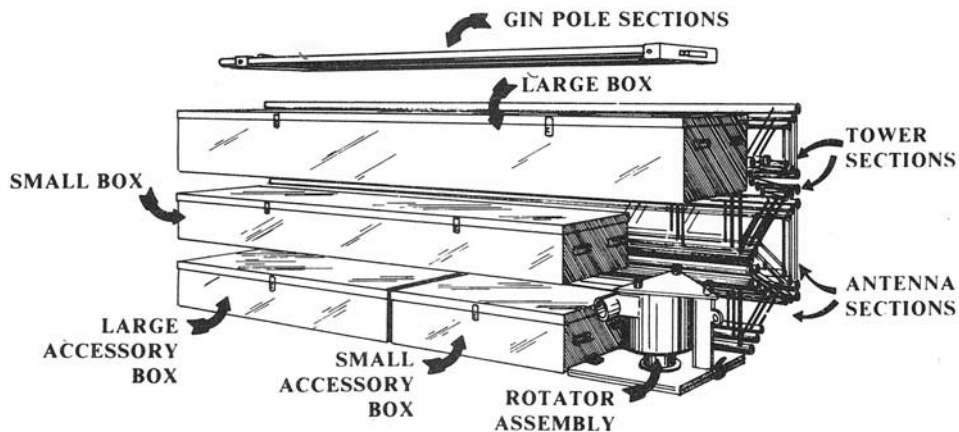
www.usantennaproducts.com

SPECIFICATIONS

| | |
|--------------------------------------|--|
| Frequency Range | 4.0 – 30.0 MHz |
| Power Handling Capabilities | |
| Average | 7.5 kW |
| Peak | 10 kW PEP |
| VSWR | 2.5:1 maximum |
| Input Connector | Type LC/50 Ω |
| Polarization | Horizontal |
| Front to Back Ratio (in dB, nominal) | 4 dB minimum from 4.0 – 6.0 MHz 12 dB minimum from 6.0 – 30.0 MHz |
| Forward Gain Over Average Soil | 9 dBi minimum from 4.0 – 6.0 MHz 11.5 dBi minimum from 6.0 – 30.0 MHz |
| | |
| Longest Element | 95 feet 11 inches (29.2 meters) |
| Boom Length | 62 feet (18.9 meters) |
| Number of Elements | 17 |
| Maximum Wind Loading (no ice) | 60 MPH (96.56 km/h) |
| Tower Height | 60 feet (18.3 meters) |
| Installation Area | 165 feet x 125 feet (50.29 x 38.1 meters) |
| Transportability | Can be easily shipped in factory furnished cases |
| Storage Conditions | No special requirements |



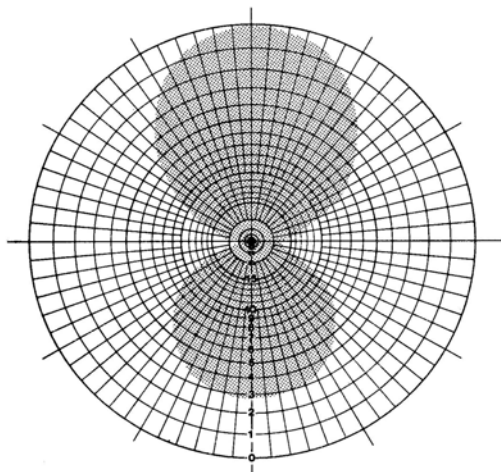
SYSTEM COMPONENTS CONTAINERS IN SHIPPING FRAME



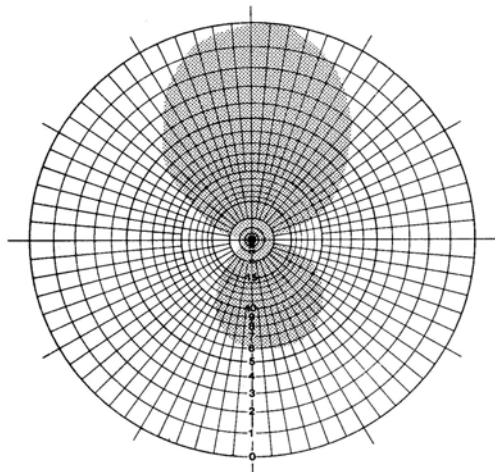
INDIVIDUAL COMPONENT CONTAINERS

TYPICAL RADIATION PATTERNS

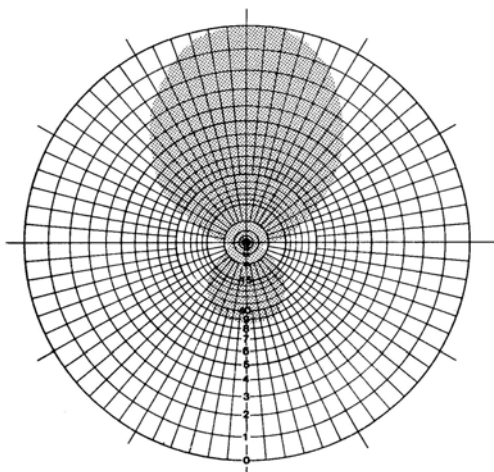
AZIMUTH



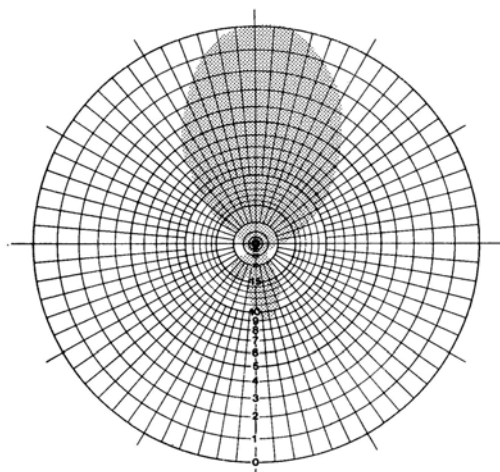
4.0 MHz at 76°



8.0 MHz at 70°

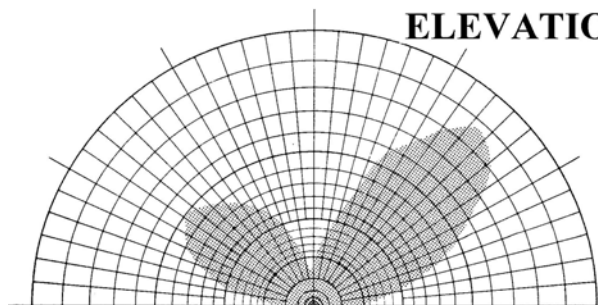


14.0 MHz at 70°

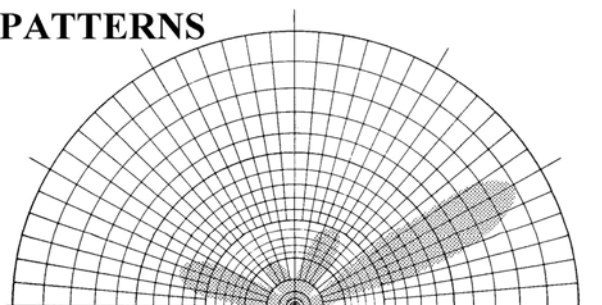


30.0 MHz at 60°

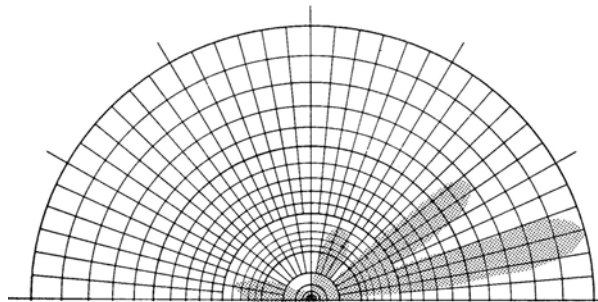
ELEVATION PATTERNS



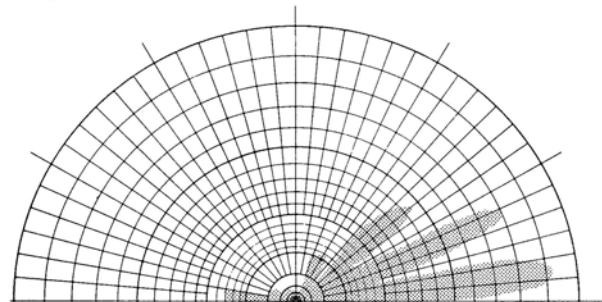
4.0 MHz



8.0 MHz



14.0 MHz



30.0 MHz

