



**UNITED  
STATES  
ANTENNA  
PRODUCTS, LLC.**

# MODEL LP-1112MR

4.0-30.0 MHz

*TRANSPORTABLE LOG PERIODIC ANTENNA*

NSN 5985-00-009-0129



### ***Transportable, Rotatable Log Periodic Antenna***

- 4.0 to 30.0 MHz
- Rotatable
- 7.5 kW Average – 10 kW PEP
- Medium to Long Range Field Communications
- ***Can be erected in 4 Hours by 6 People***

The United States Antenna Products LP-1112MR is a lightweight ***transportable and rotatable*** antenna system covering the frequency range of 4.0 to 30.0 MHz. It is designed for temporary or semi permanent installation with minimum deployment time. This unique antenna incorporates extremely small size for the frequency coverage. The antenna dimensions are only 62 feet (18.9 meters) (boom) by 96 feet (29.2 meters) across at the longest element. The system includes a 60 foot (18.3 meters) tower and erection system. The net weight of the system is approximately 2000 pounds (907kg). Rotation is accomplished by a manually operated rotator system. All installation tools and equipment are included in the antenna kit. The system also includes all necessary cases to easily transport the antenna between installation locations. The parts are color coded to facilitate assembly.

**United States Antenna Products, LLC 5263 Agro Drive Frederick, Maryland 21703 USA**

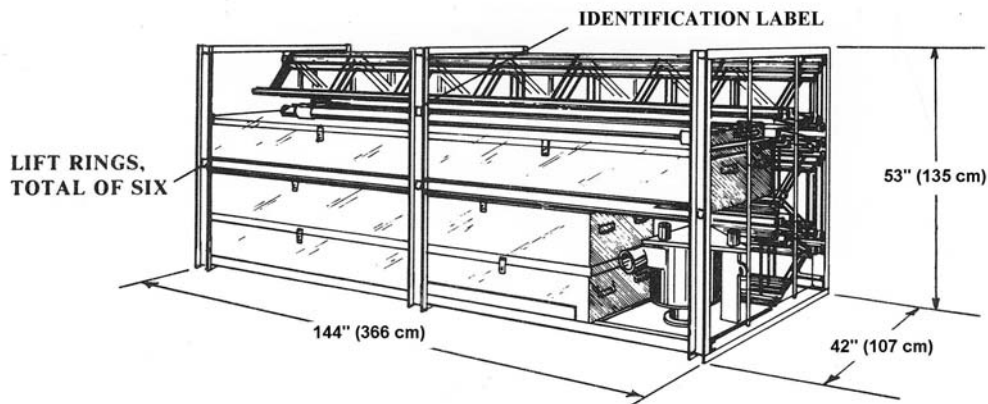
Phone: 240-341-7120

Fax: 240-341-4980

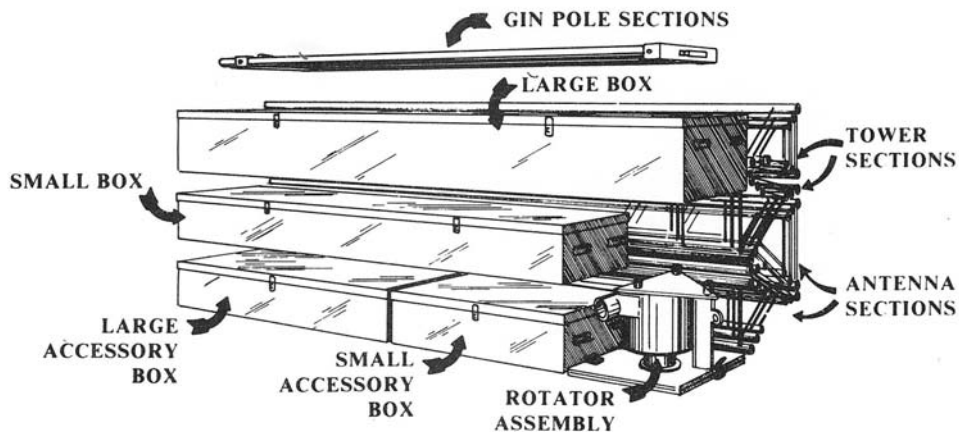
[www.usantennaproducts.com](http://www.usantennaproducts.com)

## SPECIFICATIONS

Frequency Range	4.0 – 30.0 MHz
Power Handling Capabilities	
Average	7.5 kW
Peak	10 kW PEP
VSWR	2.5:1 Nominal
Input Connector	Type LC/50 Ω
Polarization	Horizontal
Front to Back Ratio (in dB, nominal)	4 dB minimum from 4.0 – 6.0 MHz 12 dB minimum from 6.0 – 30.0 MHz
Forward Gain Over Average Soil	9 dBi minimum from 4.0 – 6.0 MHz 11.5 dBi minimum from 6.0 – 30.0 MHz
Longest Element	95 feet 11 inches (29.2 meters)
Boom Length	62 feet (18.9 meters)
Number of Elements	17
Maximum Wind Loading (no ice)	60 MPH (96.56 km/h)
Tower Height	60 feet (18.3 meters)
Installation Area	165 feet x 125 feet (50.29 x 38.1 meters)
Transportability	Can be easily shipped in factory furnished cases
Storage Conditions	No special requirements



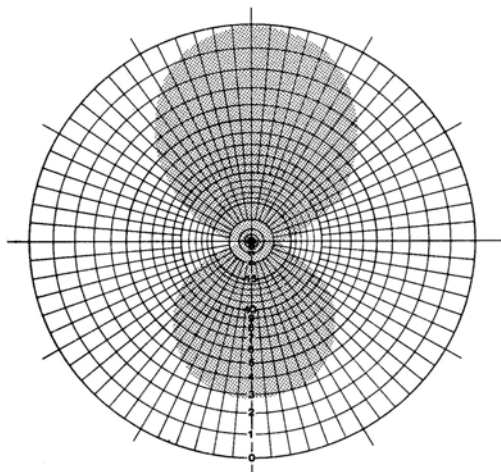
**SYSTEM COMPONENTS CONTAINERS IN SHIPPING FRAME**



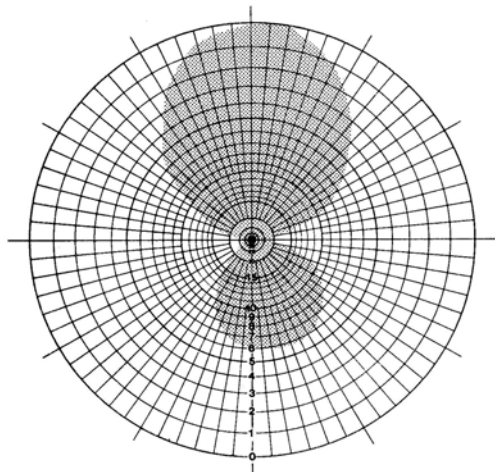
**INDIVIDUAL COMPONENT CONTAINERS**

# TYPICAL RADIATION PATTERNS

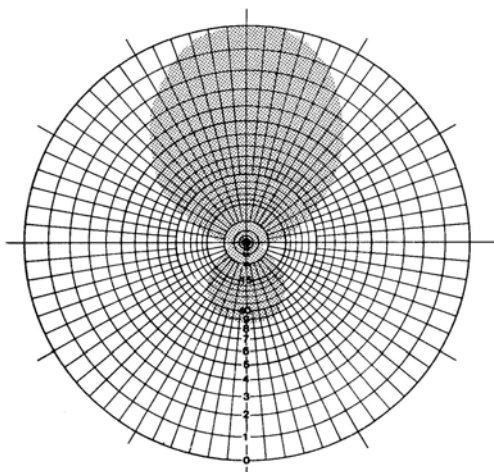
## AZIMUTH



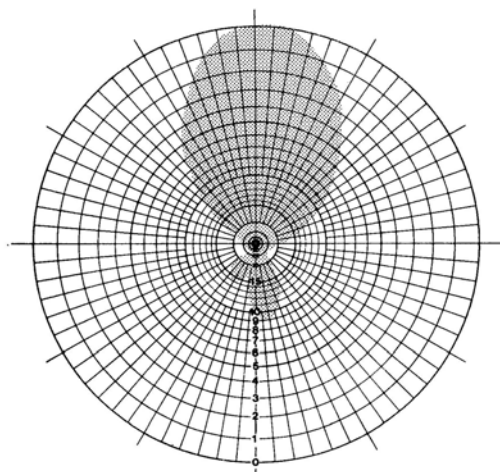
4.0 MHz at 76°



8.0 MHz at 70°

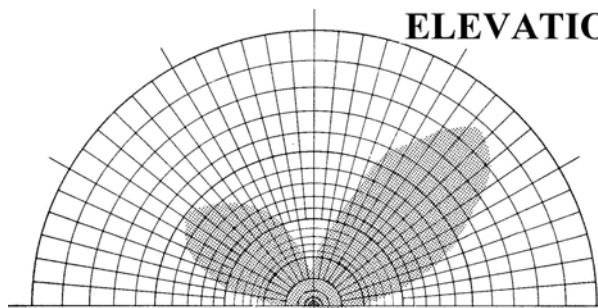


14.0 MHz at 70°

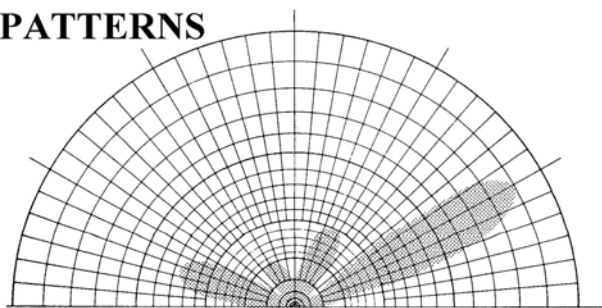


30.0 MHz at 60°

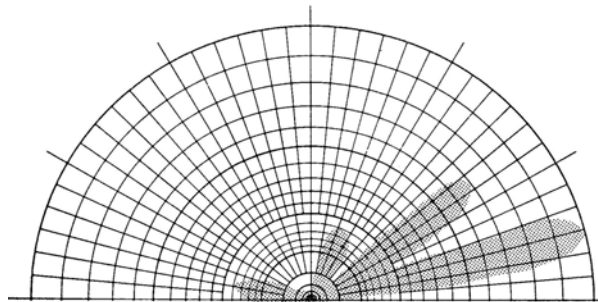
## ELEVATION PATTERNS



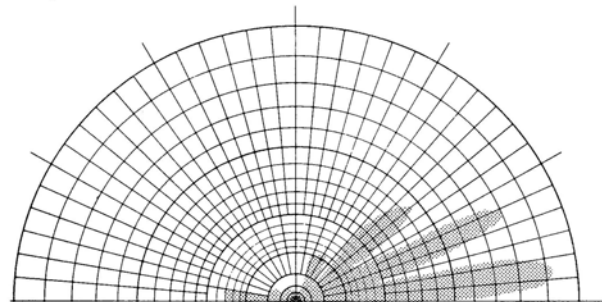
4.0 MHz



8.0 MHz



14.0 MHz



30.0 MHz



