



# MODELS 1942-RT 1942-TA

## 2.0 to 30.0 MHZ HF BROADBAND ANTENNAS



The model 1942 compact, NVIS antenna is available in two separate models. Both models have an RF Power Handling Capacity of 1 kW CW / 2 kW PEP.

The 1942-RT (Roof Top) is designed for a semi-permanent roof top installation. It's small footprint (less than 50 ft. square) allowing mounting on most all flat roof commercial buildings. The antenna is designed to be mounted on existing roofs and does not require roof penetrations for installation.

The 1942-TA (Tactical Antenna) comes with ground anchors, and a field bag that can easily be carried and erected on any cleared area.

Both antennas have stainless steel elements and ground radials. Both have snap together aluminum mast sections that can be assembled on the ground and easily pivoted up to the erect position. Both systems utilize guy wires manufactured by *Phillystran, Inc.* using coated Kevlar® for maximum strength.

These broadband terminated center-fed antennas require no tuning across the entire bandwidth, eliminating the need for antenna adjustment or an antenna tuner. The 1942 antenna achieves a VSWR of 2.5:1 or less over its entire range. A near vertical radiation pattern at frequencies below 10 MHz is ideal for reliable communications at 500 miles (800 Km). Lower radiation angles above 10MHz allow for reliable communications over much greater distances.

## 2.0 to 30.0 MHZ HF BROADBAND ANTENNAS

<b>Electrical Characteristics</b>	<b>1942-RT</b>	<b>1942-TA</b>
Frequency range	2.0 — 30.0 MHz	2.0 — 30.0 MHz
Power handling capability AVG/PEP	1000 Watts/2000 Watts	1000 Watts/2000 Watts
Polarization	Horizontal	Horizontal
Nominal VSWR*	2.5:1	2.5:1
Input impedance	50 Ohms	50 Ohms
Input connector	Type "N"	Type "N"
Coaxial Cable	Not Included	Not Included

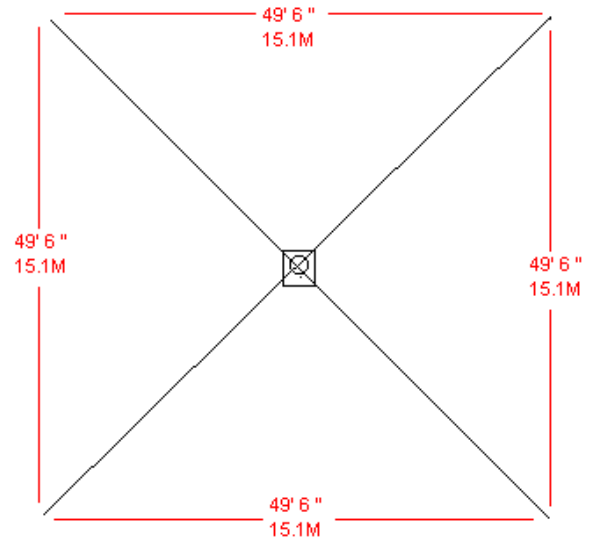
<b>Mechanical Characteristics</b>	<b>1942RT</b>	<b>1942TA</b>
Mast Height	20 ft. / 6.13 m	20 ft. / 6.13 m
Construction	Aluminum Mast	Aluminum Mast
	Stainless Steel Elements And Ground Radials	Stainless Steel Elements And Ground Radials
Guy Wires	Solid Polyurethane coated Kevlar® coated guy wires	Braided Polyurethane coated Kevlar® coated guy wires
Deployment Area	50 ft. square	50 ft. square
Net weight**	35lbs / 15.8kg	80 lbs / 36.3kg
Shipping weight	40 lbs / 18.1kg	90 lbs / 40.8 kg
Erection Time	Varies by building, complete installation in about one day.	2 people Less than 30 minutes

\*\*Roof Top Weight excludes ballast  
Kevlar® is a Registered Trademark of DuPont

### OPTIONS:

**1942-SK** This kit contains 5 modified non penetrating roof sleds with rubber mats. This allows quick, and easy installation of the 1942 RT system.

**1942-TA-P** This variation of the tactical system is made for permanent installation at ground level. Simple ground anchors are replaced with screw anchors and ground rods for long term installation under various weather conditions.



**LAYOUT OF 1492 ANTENNA**

\*VSWR with 100 feet LMR400 over Ideal Earth Ground Plane. VSWR depends upon the height of the antenna above ground, ground conditions, and the influence of other structures or antennas in the vicinity. The specification is for ideal conditions.